

产品及应用 PRODUCTS APPLICATIONS

- ▲ 三相四线共模增强型双节电源滤波器
- ▲ 双节滤波，性能更高
- ▲ 对差模干扰和共模干扰具有优良的抑制特性
- ▲ 适用于伺服、稳压系统等要求，广泛用于电机、逆变伺服、通讯设备、变频装置、电力驱动系统等干扰比较严重的场合



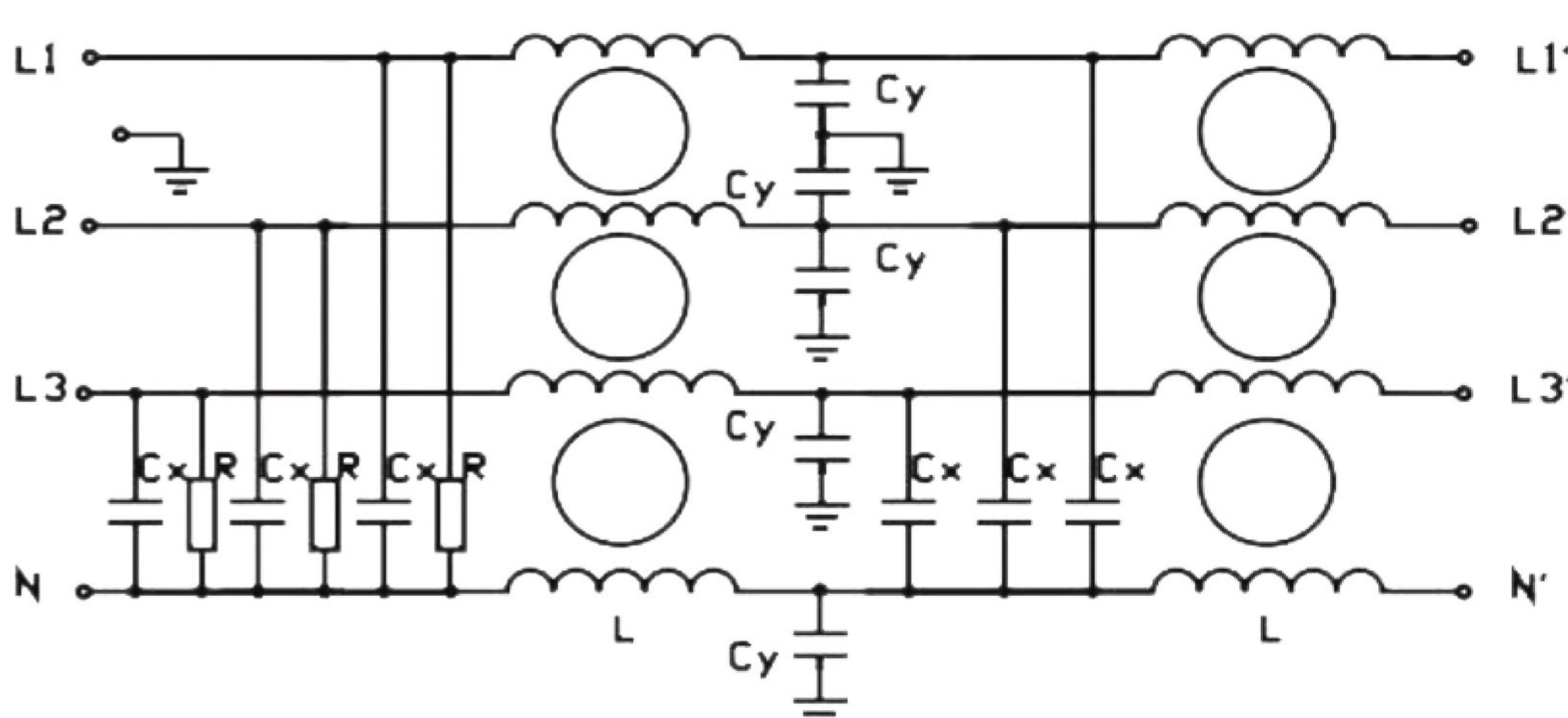
- ▲ Three-phase four-wire common mode enhanced dual-stage power filter
- ▲ Dual-stage filtering, higher performance
- ▲ Excellent suppression characteristics for differential mode interference and common mode interference
- ▲ It is suitable for servo, voltage stabilization system and other requirements, and is widely used in motors, inverters, communication equipment, frequency conversion devices, and power drive systems where interference is relatively serious

技术参数 SPECIFICATION

最高工作电压 Maximum operating voltage (VAC)	工作频率 Operating frequency Hz	试验电压 Hipot test voltage P-P(VDC) PN-E(VDC)		工作温度 Operating temperature Hz	绝缘电阻 Minimum insulation resistance
480	50/60	2150	2700	-25~+85°C	>200M@500VDC

产品型号 FILTER	端接方式 Connections	额定电流 Current rating @40°C	外型尺寸 Housing	电路参数 Components
	螺栓 Bolts			Cy(nF)
YB480-10	/M	10A	M2	4.7
YB480-20	/M	20A	M2	4.7
YB480-30	/M	30A	M5	10
YB480-50	/M	50A	M10	10
YB480-75	/M	75A	M12	100
YB480-100	/M	100A	M12	100
YB480-150	/M	150A	M15	235
YB480-200	/M	200A	M15	235

电路原理图 CIRCUIT DIAGRAM



外型尺寸 HOUSING AND DIMENSIONS: (MM)

