

产品及应用 PRODUCTS APPLICATIONS

- ▲ 具有差模滤波电感，极佳的低频衰减特性
- ▲ 三节滤波，性能最佳
- ▲ 优异的共模和差模抑制能力
- ▲ 适用于伺服、稳压系统等要求，广泛用于电机、逆变伺服、通讯设备、变频装置、电力驱动系统等干扰比较严重的场合



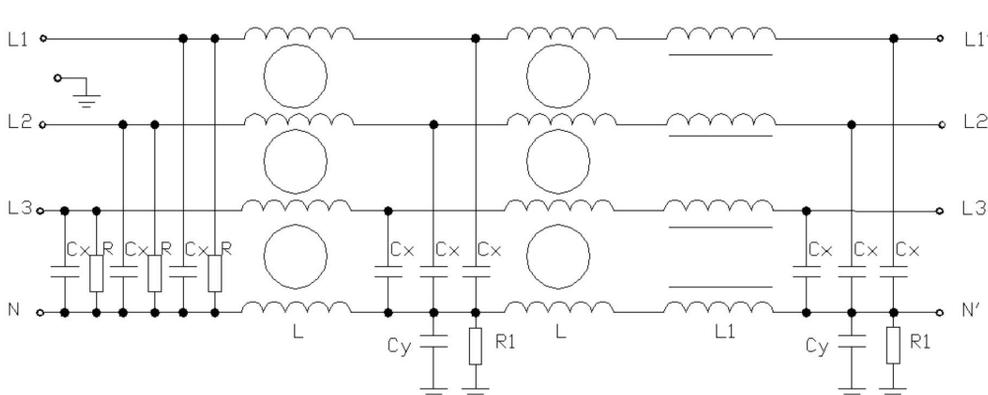
- ▲ Equipped with differential mode filtering inductor, it has excellent low frequency attenuation characteristics
- ▲ Three-stage filtering, optimal performance
- ▲ Excellent common-mode and differential-mode suppression capability
- ▲ It is suitable for servo, voltage stabilization system and other requirements, and is widely used in motors, inverters, communication equipment, frequency conversion devices, and power drive systems where interference is relatively serious

技术参数 SPECIFICATION

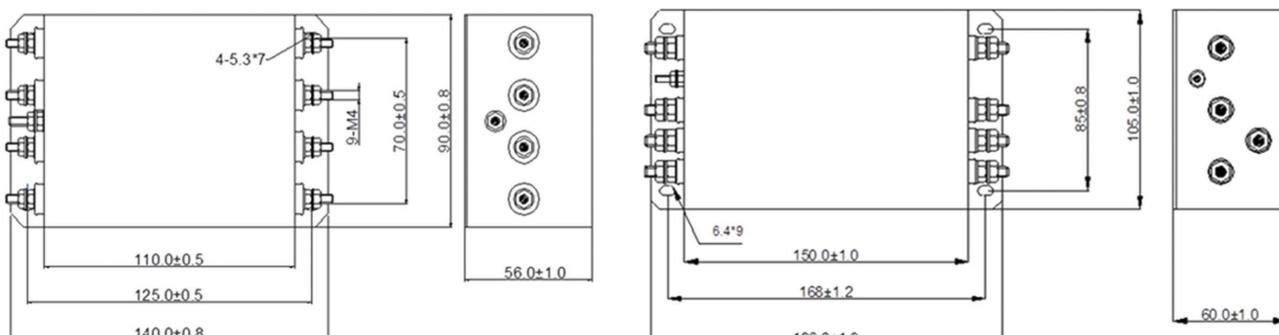
最高工作电压 Maximum operating voltage (VAC)	工作频率 Operating frequency Hz	试验电压 Hipot test voltage P-P(VDC) PN-E(VDC)		工作温度 Operating temperature Hz	绝缘电阻 Minimum insulation resistance
480	50/60	2150	2700	-25~+85°C	>200M@500VDC

产品型号 FILTER	端接方式 Connections	额定电流 Current rating @40°C	外型尺寸 Housing	电路参数 Components
	螺栓 Bolts			Cy(nF)
YB780-10	/M	10A	M2	4.7
YB780-20	/M	20A	M5	4.7
YB780-30	/M	30A	M10	10
YB780-50	/M	50A	M10	10
YB780-75	/M	75A	M12	47
YB780-100	/M	100A	M12	100
YB780-150	/M	150A	M15	220
YB780-200	/M	200A	M15	470

电路原理图 CIRCUIT DIAGRAM

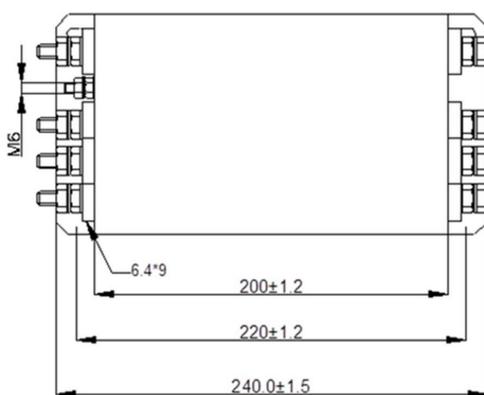


外型尺寸 HOUSING AND DIMENSIONS: (MM)

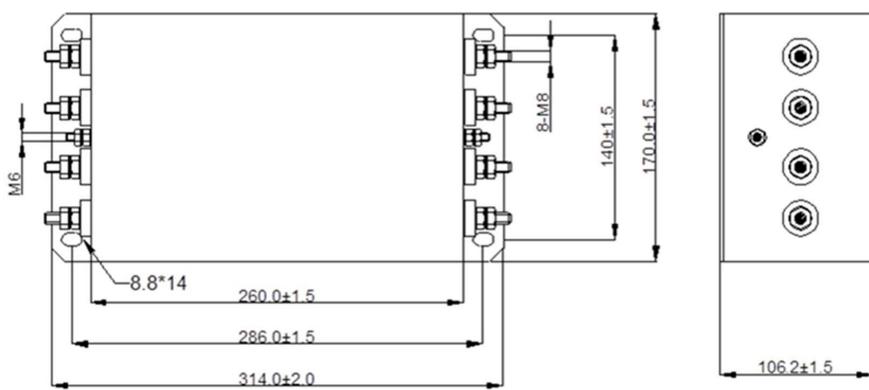


M2

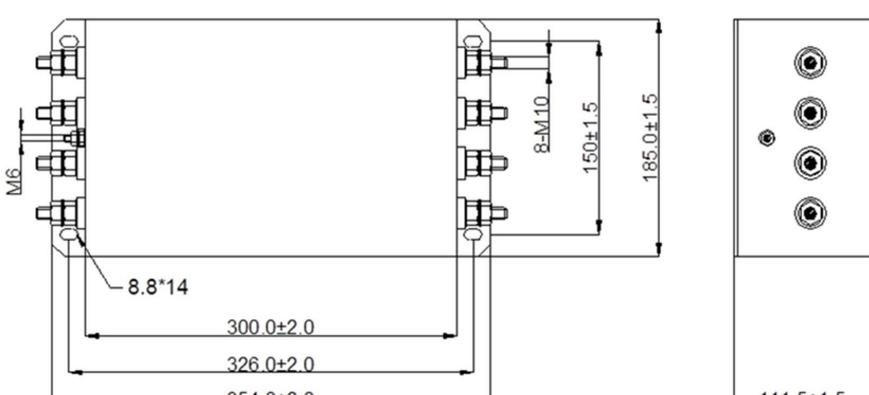
M5



M10



M12



M15