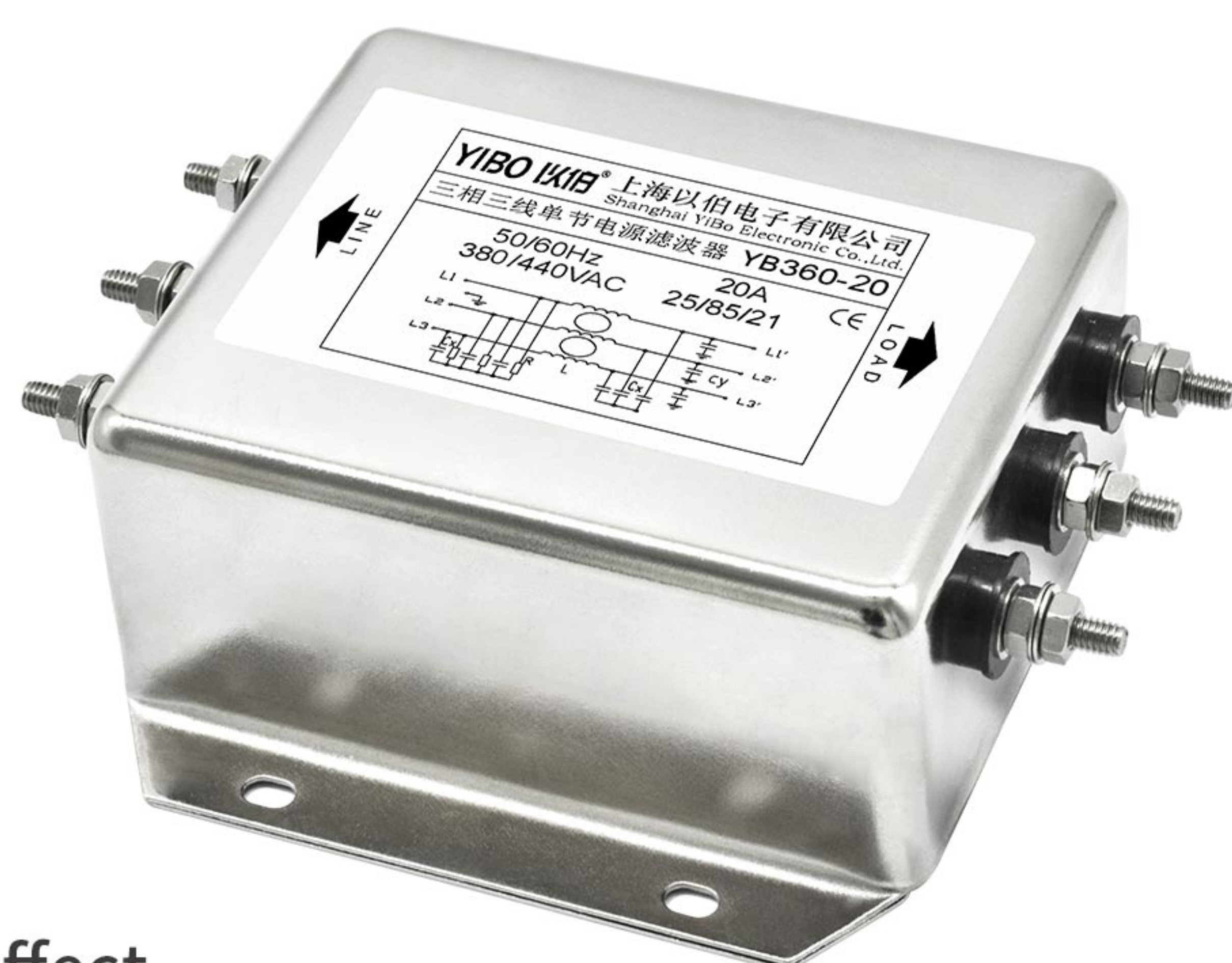


产品及应用 PRODUCTS APPLICATIONS

- ▲ 三相三线电源滤波器，滤波效果优良
- ▲ 优异的高低频滤波特性，泄露电流低
- ▲ 能有效抑制线对线、线对地之间的电磁干扰
- ▲ 广泛用于电机、逆变、伺服、通讯设备、变频装置
电力驱动系统等干扰比较严重的场合及其它军用电子设备



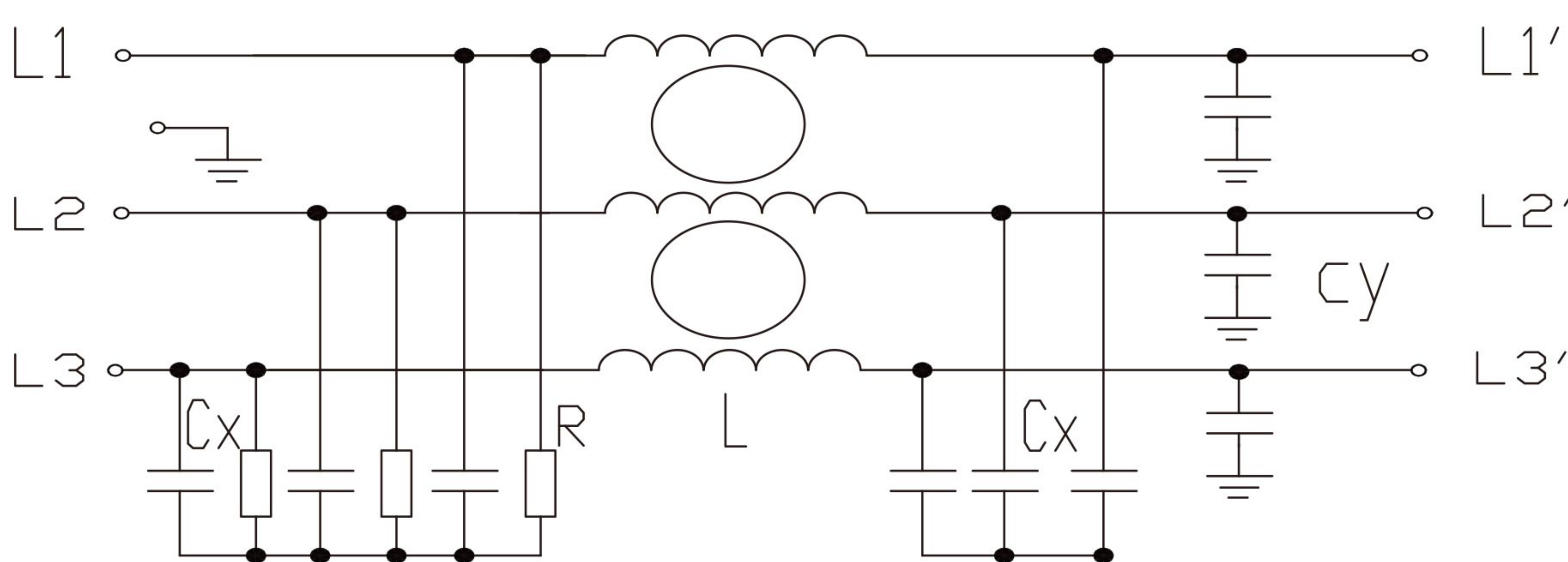
- ▲ Three-phase three-wire power filter, excellent filtering effect
- ▲ Excellent high and low frequency filtering characteristics, low leakage current
- ▲ Effectively suppresses electromagnetic interference between lines and between line and ground
- ▲ It is widely used in motors, inverters, servo, communication equipment, frequency conversion devices, and other military electronic equipment where interference is relatively severe

技术参数 SPECIFICATION

最高工作电压 Maximum operating voltage (VAC)	工作频率 Operating frequency Hz	试验电压 Hipot test voltage P-P(VDC) P-E(VDC)		工作温度 Operating temperature Hz	绝缘电阻 Minimum insulation resistance
380/440	50/60	2250	2700	-25~+85°C	>200M@500VDC

产品型号 FILTER	端接方式 Connections	额定电流 Current rating @40°C	外型尺寸 Housing	泄漏电流 Leakage current	电路参数 Components			
	螺栓 Bolts				L (mH)	Cx(uF)	Cy(nF)	R(MΩ)
YB360-5	/M	5A	C3	<0.5mA/p	4.2	0.22	4.7	1.0
YB360-10	/M	10A	C3	<0.5mA/p	2.1	0.22	4.7	1.0
YB360-20	/M	20A	E3	<0.5mA/p	1.1	0.22	4.7	1.0
YB360-30	/M	30A	E3	<1.0mA/p	0.7	0.47	10	1.0
YB360-40	/M	40A	G3	<1.0mA/p	0.7	0.47	10	1.0
YB360-50	/M	50A	G3	<1.0mA/p	0.36	0.47	10	1.0
YB360-60	/M	60A	N5	<1.0mA/p	0.25	1.0	10	0.47
YB360-75	/M	75A	N5	<1.0mA/p	0.25	1.0	10	0.47
YB360-100	/M	100A	N10	<1.0mA/p	0.2	1.0	10	0.47

电路原理图 CIRCUIT DIAGRAM



外型尺寸 HOUSING AND DIMENSIONS: (MM)

