

产品及应用 PRODUCTS APPLICATIONS

- ▲ 双节滤波，共模滤波效果优良
- ▲ 泄露电流低，应用广泛
- ▲ 适应各种阻抗匹配，对快速瞬变脉冲群 (EFT) 等实验具有良好的辅助效果
- ▲ 适用于开关电源、UPS、加油机、雕刻机、控制器等电子电力设备



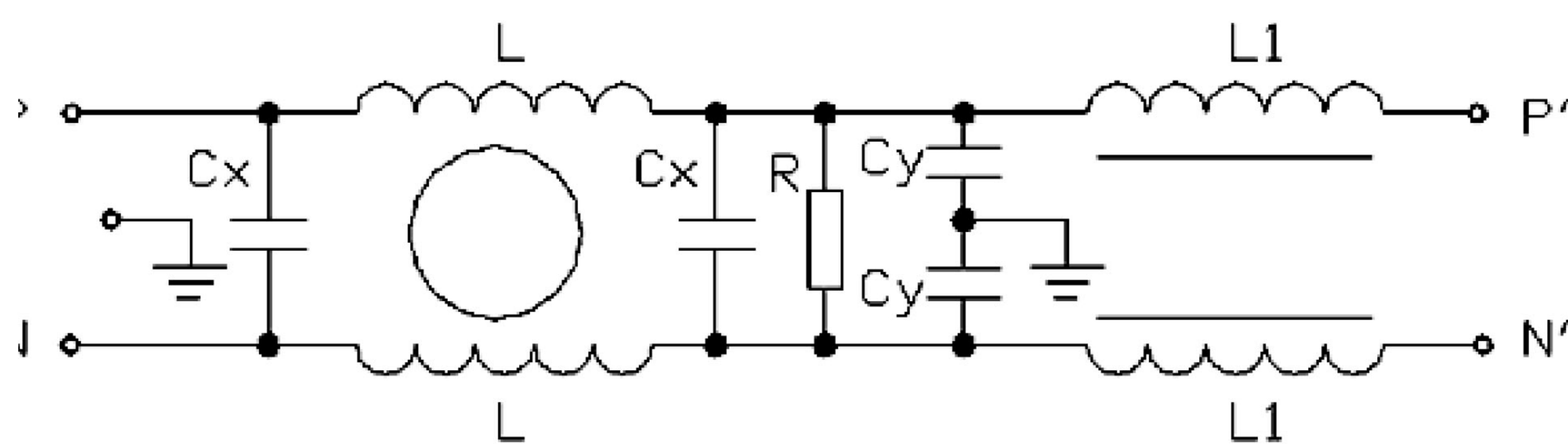
- ▲ Dual-stage filtering, excellent common-mode filtering effect
- ▲ Low leakage current, widely used
- ▲ Adapts to various impedance matching and has good auxiliary effect on experiments such as EFT
- ▲ It is suitable for electronic and electrical equipment such as switch power supplies, UPS, fuel dispensers, engraving machines, and controllers

技术参数 SPECIFICATION

最高工作电压 Maximum operating voltage (VAC)	工作频率 Operating frequency Hz	试验电压 Hipot test voltage P-N(VDC) PN-E(VAC)		工作温度 Operating temperature Hz	绝缘电阻 Minimum insulation resistance
250	50/60	1760	2000	-25~+85°C	>200M@500VDC

产品型号 FILTER	端接方式 Connections		额定电流 Current rating @40°C	外型尺寸 Housing	泄露电流 Leakage current	电路参数 Components				
						L (mH)	L1(uH)	Cx(uF)	Cy(nF)	R(MΩ)
YB610-1	/L	---	1A	H1/H3	<0.3mA	11.0	280	0.22	2.2	1.0
YB610-3	/L	---	3A	H1/H3	<0.3mA	6.5	150	0.22	2.2	1.0
YB610-6	/L	---	6A	H2/H4	<0.5mA	2.8	90	0.22	4.7	1.0
YB610-10	/L	/M	10A	H5	<0.5mA	2.5	70	0.47	4.7	0.47
YB610-16	/L	/M	16A	J	<0.5mA	1.5	45	1.0	4.7	0.22
YB610-25	---	/M	25A	Q	<0.5mA	1.2	20	1.0	4.7	0.22

电路原理图 CIRCUIT DIAGRAM



外型尺寸 HOUSING AND DIMENSIONS: (MM)

